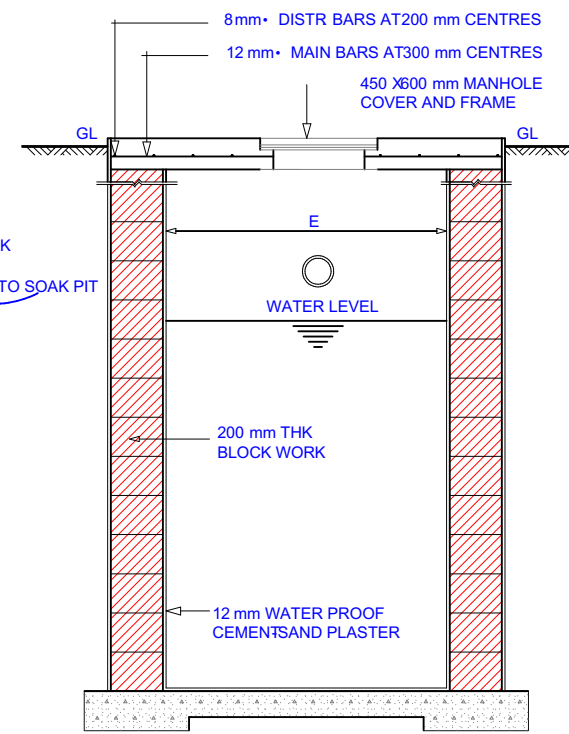
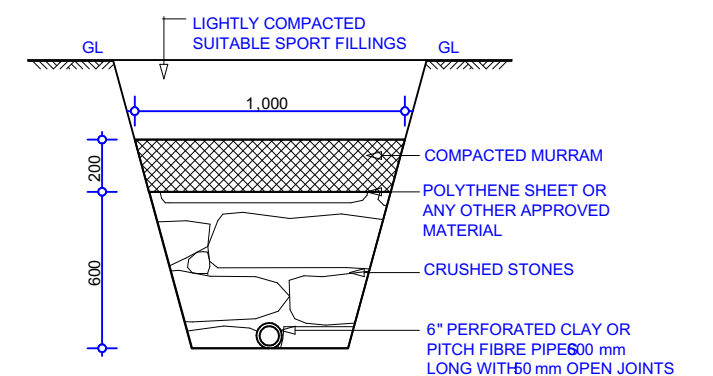


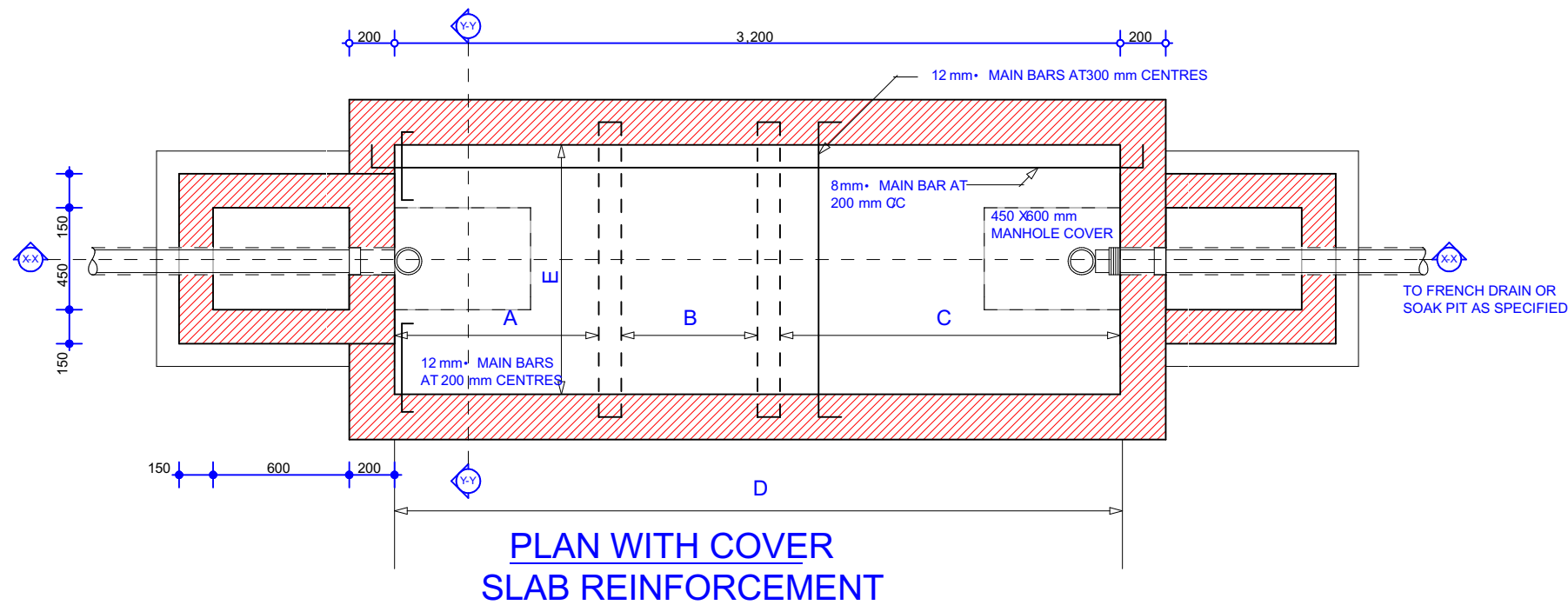
**SECTION XX**



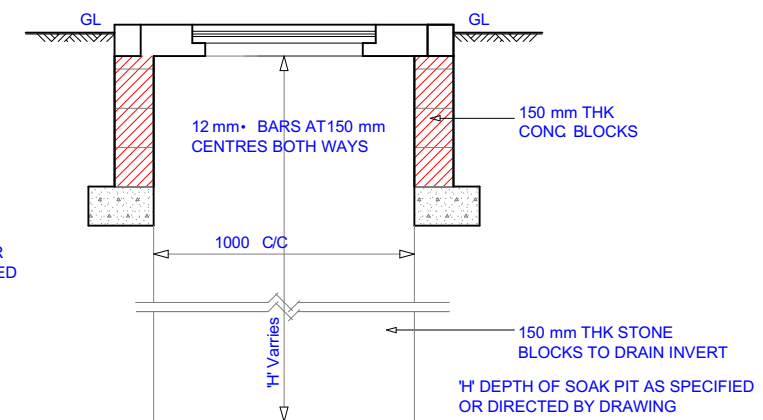
**SECTION YY**



**FRENCH DRAIN DETAIL**



**PLAN WITH COVER  
SLAB REINFORCEMENT**



**SOAK PIT DETAIL**

CAPACITY		NUMBER OF PERSONS	DIMENSIONS IN MILLIMETRES						
GALLONS	LITRES		A	B	C	D	E	F	F2
300	1360	UPTO TO10	400	300	1300	2200	700	900	1360
600	2720	11-20	750	600	1350	2900	900	1100	2720
900	4080	21-30	900	750	1350	3200	1100	1200	4080
1200	5440	31-40	900	850	1350	3300	1300	1300	5440
1500	6800	41-50	1000	950	1350	3500	1400	1400	6800

**NOTES**

1. CONCRETE TO BE :2:3 3/4" GRADED AND TO BE ACCORDING TO GENERAL SPECIFICATION
2. REINFORCEMENT TO BE MILD STEEL TO BS 4449
3. MINIMUM COVER TO BARS SHALL BE 25 mm
4. 1:2 CEMENT SAND RENDERING ON WALLS AND SCUM BAFFLES

Drg title

**SEPTIC AND SOAK PIT DETAILS**

Designed	W.D	
Drawn	W.D	
date	2017	
scale	1:50, 1:20	
Drg No.	02	Rev.